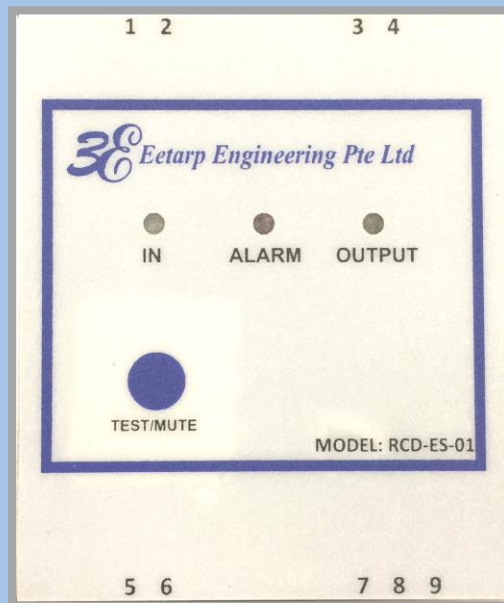


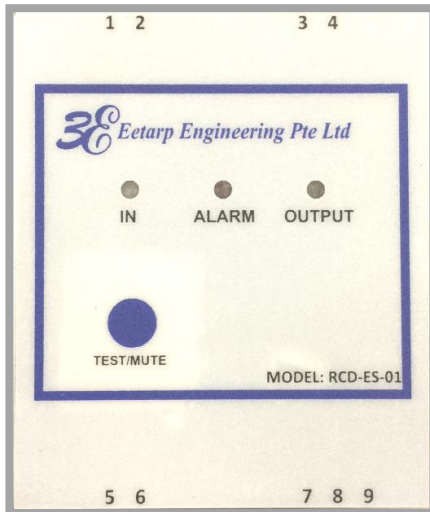
Residual Current Devices Indicator E930 Series

Din-rail mounts Residual Current Devices Indicator designed for Hospital & Medical Environment



Residual Current Devices Indicator E930 series

Din-rail mounts Residual Current Devices Indicator designed for Hospital & Medical Environment



RCD features

- Amber indicator for “Outgoing Voltage Available”
- Blue Indicator “Incoming Power Available”
- Red Flashing “Indicate tripping event or no voltage available”
- Selectable trigger sensor by trip contact or RCD outgoing voltage.
- Build-in reminder function
- Audible/Visual Alarms notification
- Relay output contact for remote monitoring
- Fuses protection for printed circuit boards

Product description

E930 series RCD indicator is designed to monitor body protected electrical areas that build in with audible/visual alarm notification for easy identification of any tripping events.

Application

The increasing use of electrically operated medical equipment and the introductions of new appliances for the diagnosis and the monitoring of medical conditions have resulted in a potentially increased danger for patients and practice staff.

‘Body protected electrical areas’ are described as any area where mains powered equipment is used for patient procedures and where direct contact is intentionally made between any part of the device and the patient should be protected by 10mA residual current devices.

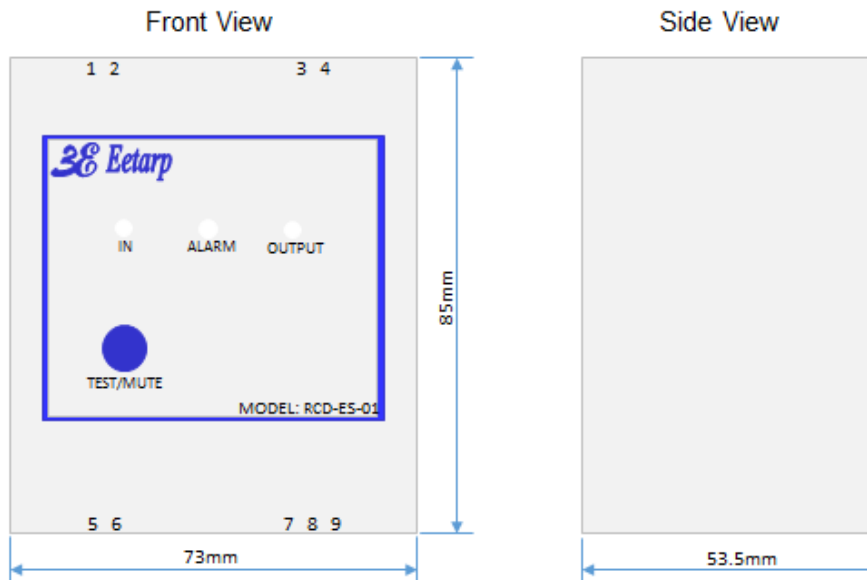
Example of Equipment Required Body Protected

- ECG (unless battery powered)
- Mains powered defibrillator
- Mains powered stimulator
- Therapeutic ultrasound
- Diagnostic ultrasound
- Pressure measuring equipment where transducers have direct contact with body fluids
- All electrosurgery or diathermy equipment
- Mains powered foetal monitor
- Mains powered medical beds

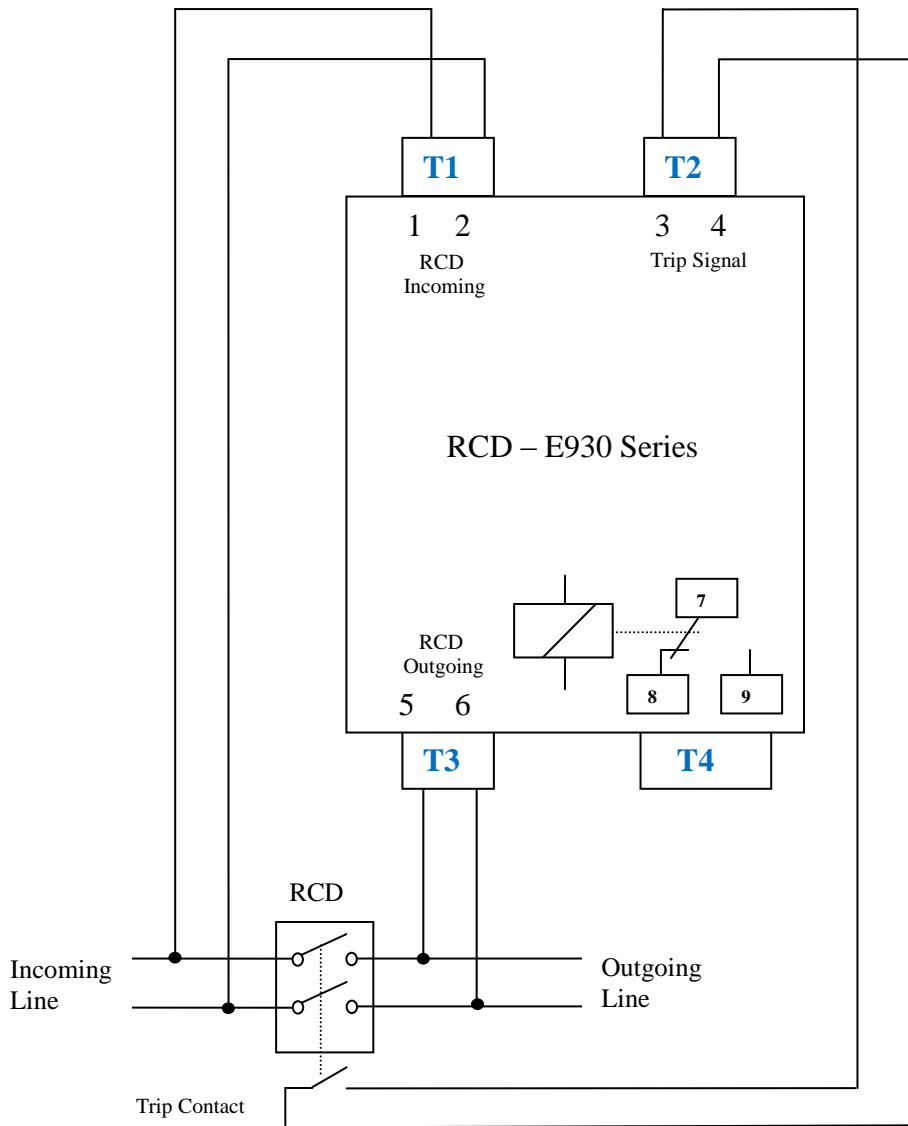
+ Technical Specification

Specifications	
Operational Voltage	240Vac \pm 10% (50Hz)
Dimension	85mm (H) x 73mm (L) x 53mm (H)
Mounting	Din-Rail
Enclosure Material	Stainless Steel
Operating Temperature	-10°C to 50°C
Output Relay Rating	1A 120VAC/24VDC
Reminder	Yes (Configurable)
Self-Test	Yes

+ Enclosure Dimension



+ Connection Diagram



- T1** – Line and Neutral connection from RCD incoming
- T2** – Trip Contact from RCB (Only required if sensing by trip contact)
- T3** – Line and Neutral connection from RCD outgoing
- T4** – Relay output contact for remote monitoring

 Eetarp RCD Indicator ordering code

E	Fixed code for Eetarp Product
9	Fixed code for Hospital Product
3	RCD Indicator
x	Reserved
-	
X	0 = Without RCD; 1 = With RCD
X	0 = Without Trip Contact; 1 = With Trip Contact
-	
X	Rating of RCD
X	Rating of RCD
-	
X	mA of RCD
X	mA of RCD

Eetarp Engineering Pte Ltd

11, Woodlands Close,
#08-12/13 Woodlands 11
Singapore 737853
Tel: +65 63393651/3652/3653 | Fax: +65 6339 3667
Email: Info@eetarp.com | www.eetarp.com

Eetarp Engineering (M) Sdn Bhd

No A-5-11, Block Allamanda
10 Boulevard, Lebuhraya Sprint
PJU 6A, 47400, Petaling Jaya
Selangor, Malaysia
Tel: +603 77293973 | Fax: +603 77298973
Email: Info@eetarp.com | www.eetarp.com

All specifications are subjected to change without prior notice.