

**ELECTRICAL SAFETY**  
**POWER QUALITY**  
**ENERGY MANAGEMENT**



## iBCPM - E810 Series

### intelligent Branch Circuit Power Monitoring (iBCPM)

- Measurement accuracy according to IEC62053-22 Class 0.5s
- Measures up to 30 sub circuits
- Designed to work with split-core current transformers for easy installation and retrofit applications

# iBCPM - E810 Series

## Power Quality & Energy Meter



## Product Description

The E810-Series (iBCPM) is an effective branch circuit power monitoring system and part of the Graphene-Meter-Series. The compact design allows an easy and fast commissioning. Combined with the split-core CTs of the ESCT-Series, the E810 is highly suitable for retrofit applications.

It measures and displays characteristics of electrical systems such as voltage, frequency, current, power, harmonics, power factor, maximum, minimum value, and imported or exported energy. The built-in interfaces provide standard RS485 Modbus RTU outputs with password protection to transfer the collected data to any other system.

It makes the E810-Series a perfect partner for various applications like accurate data collection and timely reporting of anomalies in the power distribution unit (PDUs).

## Device Features

- Measurement accuracy according to IEC62053-22 Cl 0.5S
- Measures up to 30 sub circuits (or up to 10 three phase sub-circuits)
- Up to 31<sup>st</sup> harmonics measurements
- Able to combine either three phase or single phase
- 4 relays output
- Optional with 2<sup>nd</sup> Modbus output
- Designed to work with split core current transformer with 333mV CT input (CT range from 100A to 3000A)
- **SmartSense Technology: New!** Intelligent detection of branch circuit abnormalities and no-load condition monitoring enhances safety and efficiency without requiring additional hardware or wiring

## Typical Applications

- Low voltage distribution networks
- Data Center (PDUs)
- Consumer billing
- Retail shop
- Commercial/residential building
- School Hostel
- University
- Government sector
- Sub-billing application

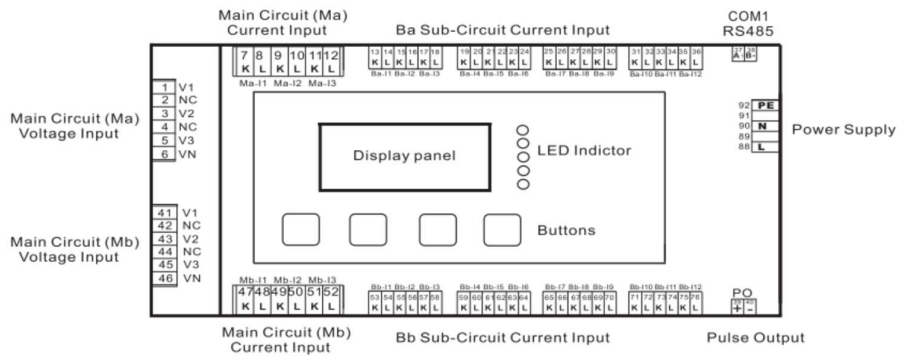
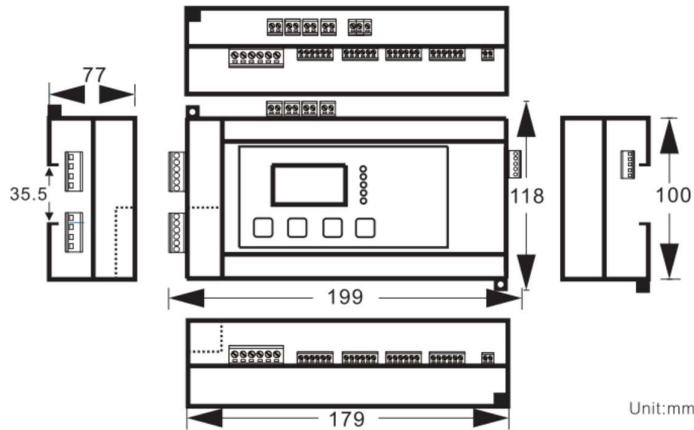
# Technical Specification

Power Supply	
Rated Voltage	AC85~264V or DC100~300V
Power Consumption	≤15VA
Withstand voltage	AC2KV,50/60Hz for 1 min
Communication / Interface	
<b>RS-485: Modbus-RTU (Default) / Optional Modbus TCP</b>	
Physical interface	RS-485 / Ethernet
Communication speed	Up to 38.4 kbps
Communication protocol	Modbus-RTU / Optional Modbus TCP
Relay output	
Capacity	5A/250Vac ; 5A/30Vdc
Isolation voltage	Isolation 2000 VAC
Alarm setpoints	Up to 48 parameters for alarm setting
Pulse Output	
Pulse Output mode	4 x Output: 30Vdc, 30mA(max)
Energy pulse output	3200 Pulse/kWh
Measuring circuit	
Measuring voltage inputs	
Rated range	50 - 600V (L-L)
Resolution	0.1 V
Over voltage	1.2VIn continuous
Frequency	45-65 Hz
Main Circuits	1P2W/1P3W/3P3W/3P4W
Sub Circuits	1P2W/1P3W/3P3W/3P4W
Measuring current inputs	
Rated range	333mV
Resolution	1 mA
Impedance	≤ 20 mΩ/per phase
Power consumption	≤ 0.1 VA/per phase
Over current	1.2X rated current of CT
Working Environment	
Working temperature	0°C to 60°C
Storage temperature	-30°C to 80°C
Relative humidity	5 ~ 95%RH, no condensation

Other	
Electrostatic discharge immunity	IEC61000-4-2:2008
Radiated, radio-frequency, electromagnetic field immunity	IEC61000-4-3:2010
Electrical fast transient/burst immunity	IEC61000-4-4:2012
Surge immunity	IEC61000-4-5:2014
Immunity to conducted disturbances, induced by radio-frequency fields	IEC61000-4-6:2013
Power frequency magnetic field immunity	IEC61000-4-8:2009
Voltage dips, short interruptions and voltage variations immunity	IEC61000-4-11:2004
Low Voltage Directive	EN61010-1 2010

Measurement Parameters	
Power Quality Analysis	
Wave Sampling	256 samples/cycle
Harmonic	31st Harmonic (Main Circuits)
Alarm setting	Setpoint alarm and record
Real-time Data	Voltage, Current, Active power, Reactive Power, Apparent Power, Power Factor, Frequency, THD
Measurement Channel	30 channels sub circuits
Energy	
Energy	Reactive Energy, Apparent Energy, Active Energy
History Energy	Storage to build in memory
Multi-tariff energy	8 Tariff setting
Demand / Max & Min	
Real-time Demand	fixed- and slide window record value
Max. / Min Record	Per phase and 3-phase of parameters values
Memory Record	
Memory	2MB
Setting	Load setting from previous saved file or set according to needs.
Accuracy	
Voltage/ Current	± 0.2%
Re-,Active/Apparent power	± 0.2%
Active Energy	± 0.5%
Reactive Energy	± 0.5%
Power Factor	± 0.5%
Frequency	± 0.1%
THD	1%
Unbalance	± 0.5%
Mechanical Characteristics	
Dimension	199mm (L) x 118mm (W) x 77mm (H)
Material	ABS, Black (with fire-retardant)
Mounting	35mm DIN RAIL
Protection degree	IP20

# Dimensions & Ordering Code



## Ordering Code

Order Number	Type	Features
GABXXCB5X3XXXX0	E810-RTU	BCPM with 2MB memory and Modbus RTU
GABXXEB5X3XXXX0	E810-TCP	BCPM with 2MB memory and Modbus TCP
GABXXCB5X32XXXX0	E810-RTU-2	BCPM with 2 MB memory and 2 x Modbus RTU
GABXXEB5X32XXXX0	E810-TCP-2	BCPM with 2 MB memory and Modbus TCP with 2 ports



EEPL-CAT-E810-rev08

### Eetarp Engineering Pte Ltd

11 Woodlands Close, #08-13 | Woodlands 11  
 Singapore 737853  
 Tel: +65 6339 3651 | Fax: +65 6339 3667  
 Email: contact@eetarp.com  
 CRN: 200001617K

### Eetarp Power (M) Sdn Bhd

A-5-11, Blk Allamanda  
 10 Boulevard, Lebuhraya Sprint  
 PJU 6A 47400, PJ | Selangor, Malaysia  
 Tel: +603 7729 3973 | Fax: +603 7729 8973  
 E-Mail: contact@eetarp.com  
 CRN: 1205228P

#### Partners

Australia | China | India | Indonesia | Japan | Philippines | South Korea | Taiwan | Thailand | Vietnam

[www.eetarp.com](http://www.eetarp.com)